

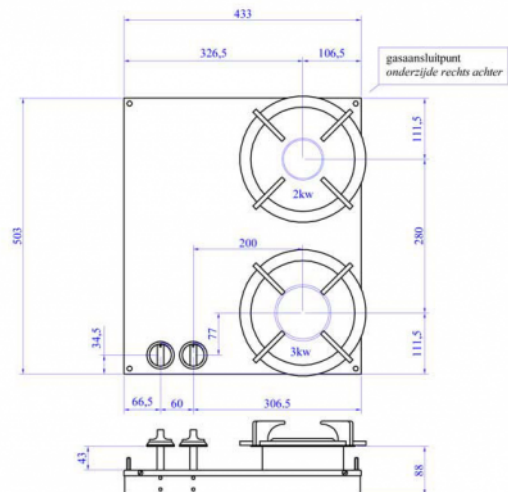
Bandai

50.00.00.008

Number of burners	2 Pitts
Old product number	50.00.00.008
Gas pressure	25 Mbar
Cabinet	500 mm
Gas type	G25
Dimension	433x503x90 mm
Power (kW)	1x2 + 1x3



Technische drawing



Bandai

