

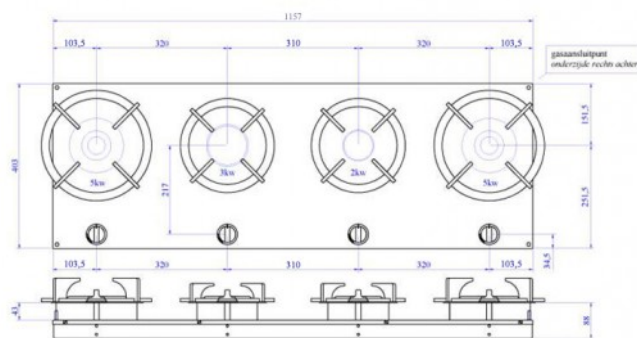
Danau

50.00.00.013

Number of burners	4 Pitts
Old product number	50.00.00.013
Gas pressure	25 Mbar
Cabinet	1200 mm
Gas type	G25
Dimension	1157x403x90 mm
Power (kW)	1x2 + 1x3 + 2x0,2-5



Technische drawing



Danau

