

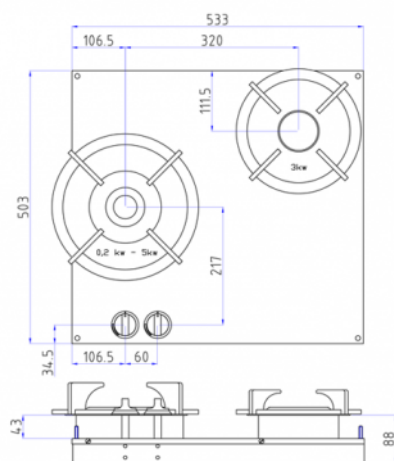
Baluran

50.00.00.026

Number of burners	2 Pitts
Old product number	50.00.00.026
Gas pressure	25 Mbar
Cabinet	600 mm
Gas type	G25
Dimension	533x503x90 mm
Power (kW)	1x3 + 1x0.2-5



Technische drawing



Baluran

