

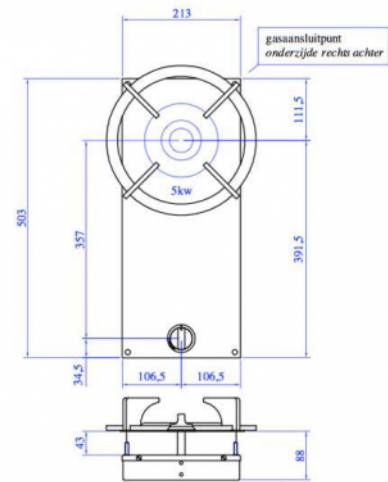
# Air

50.00.00.003

Number of burners	1 Pitts
Old product number	50.00.00.003
Gas pressure	25 Mbar
Cabinet	300 mm
Gas type	G25
Dimension	213x503x90 mm
Power (kW)	1x0.2-5



## Technische drawing



Air

